

PATENT ABSTRACTS OF JAPAN

(11)Publication number : 06-120039

(43)Date of publication of application : 28.04.1994

(51)Int.Cl. H01F 17/04
H01F 1/34
H01F 17/00
H01F 41/04

(21)Application number : 04-264481

(71)Applicant : TOKIN CORP

(22)Date of filing : 02.10.1992

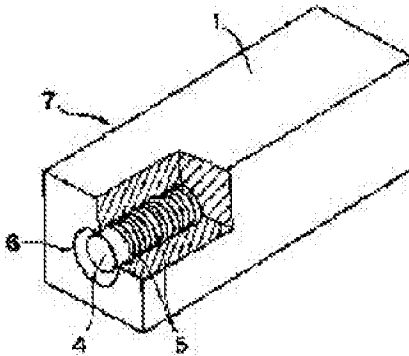
(72)Inventor : MATSUZAWA HIDEKI

(54) INDUCTOR AND ITS MANUFACTURING METHOD

(57)Abstract:

PURPOSE: To obtain an inductor easy to be manufactured having excellent characteristics and capable of being miniaturized.

CONSTITUTION: A magnetic core is composed of a cylindrical outer magnetic body 1 and a bar type inner magnetic body 4 to be inserted into the outer magnetic body 1. A spiral trench is formed on the inner peripheral surface of the outer magnetic body 1. The diameter of the inner magnetic body 4 is specified to adhere closely to the inner periphery of the outer magnetic body 1. A coil 5 is to be buried in the trench of the outer magnetic body 1. This coil 5 formed by filling up the trench with a molten conductor after the insertion of the inner magnetic body 4 into the outer magnetic body 1. Finally, an electrode 6 connecting to the coil 5 is provided in the aperture edge on both ends of the outer magnetic body 1.



LEGAL STATUS

[Date of request for examination]

[Date of sending the examiner's decision of rejection]

[Kind of final disposal of application other than the examiner's decision of rejection or application]

converted registration]

{Date of final disposal for application]

{Patent number]

{Date of registration]

{Number of appeal against examiner's decision of rejection]

{Date of requesting appeal against examiner's decision of rejection]

{Date of extinction of right]

Copyright (C); 1998,2003 Japan Patent Office